

Technical features

Power supply

Three-phase voltage from 48V to 690V, 50Hz or 60Hz; suitable for use with an inverter from 20Hz to the base frequency, with constant torque load profile.

Polarity

4, 6 and 8 poles.

Conformity with European Directives

Low Voltage 2006/95/EC, ATEX 94/9/EC.

Reference Regulations

EN 60034-1,
IEC/EN 61241-0, IEC/EN 61241-1

Functioning

Continual service (S1) at maximum declared centrifugal force and electric power. Intermittent services are also possible depending on the type of vibrator and the operating conditions. For detailed information contact our technical assistance office.

Centrifugal force

Range extended up to 25000 Kgf. (245 KN), with centrifugal force adjustable from 0 to 100%.

Mechanical protection

IP 66 according to IEC 529, EN 60529.

Protection against mechanical impacts

IK 08 according to IEC 68, EN 50102.

Insulation class

Class F (155°C), class H (180°C) on request.

Tropicalization

Standard on all vibrators with "drop by drop" trickle system.

Ambient temperature

From -20°C to +40°C. Versions for higher or lower temperatures are available on request.

Vibrator thermal protection

Standard PTC rated thermistor heat detectors 130°C (DIN 44081-44082) from size 70, on request for smaller sizes. On request, thermistors with different temperatures and anti-condensation heaters.

Fixing of the vibrator

In all positions and therefore without restriction.

Lubrication

All vibrators are correctly lubricated in the factory and do not require further lubrication if used in normal operating conditions ("FOR LIFE" lubrication).
In heavy duty operating conditions periodical re-lubrication may be applied.

Terminal box

Large fixed electrical connections. Special shaped terminals allow to fix the power supply cable, protecting it from loosening.

Electric motor

Three-phase asynchronous type. Designed for maximum starting torques and torque curves specific to vibrating machines. Insulated windings using the "drop by drop" trickle system with class H resin.
The rotor is die cast aluminium.

Casing

In spheroidal cast iron to have high strength and optimal elasticity. Patented shape that improves heat dispersion and lowers normal working temperature at full load.

Bearing flange

Constructed in cast iron (spheroidal or grey). The geometry of the flange transmits the load to the casing uniformly.

Bearings

Custom made with particular geometry, especially designed for Italtibras, suitable to support both high radial and axial loads.

Motor shaft

In treated steel alloy (Isothermic hardening) resistant to stress.

Eccentric weights

Allow continual adjustment of the centrifugal force. This adjustment is realized by a graduated scale, which expresses the centrifugal force as a percentage of the maximum centrifugal force.
A patented system (patent N° MO98A000194), called ARS, prevents adjustment errors.

Weight covers

In aluminium alloy, dismountable to allow disassembly in a radial direction. On request vibrators can be supplied with 1 or 2 dismountable caps.

Painting

Electrostatic surface treatment based on polymerised epoxy polyester powder in oven at 200°C. Tested in salt spray for 500 hours.

Stainless steel protection

On request, corrosion high grade protection (stainless steel micro suspensions in a polyurethanic paint) is available.

Several sizes are available with different mounting bolt patterns. Please contact sales office at Italtibras.

MVSI-TS



4 poles - 1500/1800 rpm

	Description					Mechanical specifications						Electrical specifications							
	Code	Type	SIZE	 II2D Temp. class		Static moment*		Centrifugal force				Weight		Max input power		Max. current		I _a /I _N	
						kgmm	50 Hz	60 Hz	50 Hz	60 Hz	50 Hz	60 Hz	50 Hz	60 Hz	50 Hz	60 Hz	W	400 V 50 Hz	460 V 60 Hz
three-phase	601219	MVSI 15/1710-S02-TS	50	•	150°C	715	485	1798	1757	17.6	17.2	57.0	54.5	1100	1200	2.00	1.90	4.29	4.89
	601267	MVSI 15/2000-S02-TS	50	•	170°C	817	561	2054	2033	20.1	19.9	62.0	58.0	1350	1450	2.50	2.30	4.30	4.90
	601221	MVSI 15/3810-S02-TS	70	•	135°C	1526	1034	3840	3744	37.7	36.7	119	110	2200	2500	3.90	3.90	7.11	6.92
	601269	MVSI 15/4300-S02-TS	70	•	135°C	1720	1173	4326	4250	42.4	41.7	123	117	2500	2800	4.80	4.65	5.90	7.10
	601211	MVSI 15/5010-S02-TS	80	•	135°C	1990	1364	5007	4941	49.1	48.5	161	153	3600	3400	6.00	5.00	7.02	8.00
	601447	MVSI 15/6000-S02-TS	80	•	135°C	2248	1677	5654	6075	55.5	59.6	163.5	155	3600	3400	6.00	5.00	7.02	8.00
	601204	MVSI 15/9500-S02-TS	97	□	135°C	3346	2462	8416	8916	82.6	87.5	317	303	7500	8500	12.2	12.0	6.56	6.67

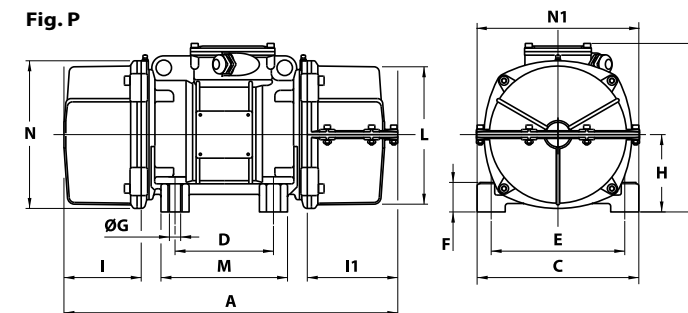
* Working moment = 2 x static moment. □ CSA certification on request, with feeding line included.
I_a/I_N = ratio between start-up current and maximum current.

4 poles - 1500/1800 rpm

	Type	Dimensional specifications (mm)																Cable entry thread	
		Fig.	A		B	C	D	E	Holes				L	M	N	I1	N1		
			1	2					øG	N°	F	H							I
three-phase	MVSI 15/1710-S02-TS	P	558	616	246	230	140	190	17	4	54	116	134	210	180	225	192	258	M25x1,5
	MVSI 15/2000-S02-TS	P	595	616	246	230	140	190	17	4	54	116	171	210	180	225	192	258	M25x1,5
	MVSI 15/3810-S02-TS	P	624	664	321	310	155	255	23.5	4	77	157	137	277	215	295	177	326	M25x1,5
	MVSI 15/4300-S02-TS	P	665 (50Hz) 624 (60Hz)	664	321	310	155	255	23.5	4	77	157	178 (50Hz) 137 (60Hz)	277	215	295	177	326	M25x1,5
	MVSI 15/5010-S02-TS	P	656	682	347	340	180	280	26	4	80	165	150	303	240	320	176	356	M32x1,5
	MVSI 15/6000-S02-TS	P	656	682	347	340	180	280	26	4	80	165	150	303	240	320	176	356	M32x1,5
	MVSI 15/9500-S02-TS	P	878	894	437	460	125	380	39	6	35	215	230	387	320	414	246	450	M32x1,5

Several sizes are available with different mounting bolt patterns. Please contact sales office at Italtvibras.

Fig. P



6 poles - 1000/1200 rpm

	Description					Mechanical specifications						Electrical specifications						
	Code	Type	SIZE	 II2D Temp. class	Static moment* kgmm		Centrifugal force				Weight kg		Max input power W		Max. current A		I _a /I _N	
					50 Hz	60 Hz	50 Hz	60 Hz	50 Hz	60 Hz	50 Hz	60 Hz	50 Hz	60 Hz	400 V 50 Hz	460 V 60 Hz	50 Hz	60 Hz
	three-phase																	
602381	MVSI 10/1110-S08-TS	50	•	135°C	1012	715	1132	1151	11.1	11.3	64.5	57.5	750	750	1.65	1.50	3.33	4.13
602382	MVSI 10/1400-S08-TS	50	•	170°C	1274	904	1424	1483	14.0	14.5	78.5	71.5	950	1000	1.80	1.70	3.05	3.65
602167	MVSI 10/2610-S02-TS	70	•	135°C	2326	1720	2601	2747	25.5	26.9	130	116	1960	2100	4.10	3.75	5.35	5.60
602230	MVSI 10/3000-S02-TS	70	•	135°C	2690	1940	3007	3124	29.5	30.6	145	130	2200	2400	4.50	4.30	4.35	4.81
602154	MVSI 10/3810-S02-TS	80	•	135°C	3422	2380	3826	3831	37.5	37.6	188	170	2500	3000	5.10	5.00	5.91	6.00
602204	MVSI 10/4700-S02-TS	80	•	135°C	4206	2887	4701	4648	46.1	46.0	204	183	3200	3600	6.50	6.00	5.24	5.50
602138	MVSI 10/5200-S02-TS	90	•	135°C	4658	3288	5208	5293	51.1	51.9	238	215	3800	4000	7.00	6.50	4.71	5.08
602351	MVSI 10/5700-S02-TS	90	•	135°C	5044	3478	5650	5600	55.4	54.9	240	220	3800	4000	7.00	6.50	4.71	5.08
602091	MVSI 10/6500-S02-TS	90	•	135°C	5838	4055	6527	6529	64.0	64.0	268	258	4300	5000	8.20	8.10	4.51	5.83
602092	MVSI 10/8000-S90-TS	95	□	135°C	7197	4967	8046	7996	78.9	78.4	315	277	7000	7500	12.6	11.3	4.59	5.58
602093	MVSI 10/9000-S90-TS	95	□	135°C	7752	5385	8666	8669	85.0	85.0	326	289	7500	8200	14.0	12.9	4.13	4.88
602137	MVSI 10/10000-S02-TS	97	□	135°C	8673	5664	9695	9117	95.1	89.4	381	340	7600	8000	13.5	12.4	4.72	4.92
602227	MVSI 10/13000-S02-TS	97	□	135°C	11510	8158	12867	13130	126	129	460	382	9600	10000	17.0	16.0	4.98	5.00
602142	MVSI 10/15000-S02-TS	105	□	135°C	12662	8700	14155	14004	139	137	643	605	10600	11270	19.0	18.0	5.88	5.78
602143	MVSI 10/17500-S02-TS	105	□	135°C	15500	10439	17327	16804	170	165	705	656	13000	19700	24.5	23.0	5.71	5.96
602144	MVSI 10/22000-S90-TS	110	□	135°C	20025	12553	22386	20208	220	198	926	896	19000	19000	33.0	25.5	4.67	5.88
602273	MVSI 10/25000-S90-TS	110	□	135°C	22364	14785	25000	23800	245	233	960	928	19000	19000	33.0	25.5	4.67	5.88

* Working moment = 2 x static moment. □ CSA certification on request, with feeding line included.

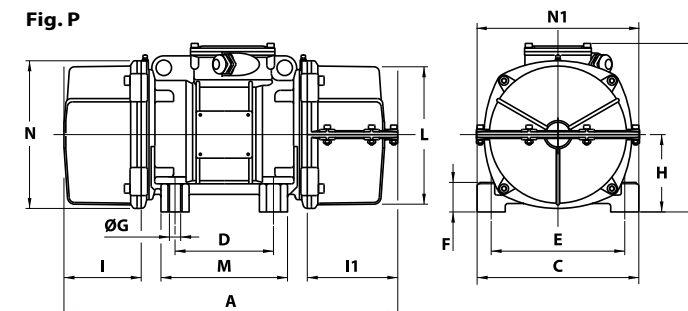
I_a/I_N = ratio between start-up current and maximum current.

6 poles - 1000/1200 rpm

	Type	Dimensional specifications (mm)																Cable entry thread	
		Fig.	A		B	C	Holes										N1		
			n. split covers				D	E	øG	N°	F	H	I	L	M	N			I1
three-phase	MVSI 10/1110-S08-TS	P	595 (50Hz) 558 (60Hz)	616	246	230	140	190	17	4	54	116	168 (50Hz) 134 (60Hz)	210	180	225	192	258	M25x1,5
	MVSI 10/1400-S08-TS	P	592	616	246	230	140	190	17	4	54	116	168	210	180	225	192	258	M25x1,5
	MVSI 10/2610-S02-TS	P	711	756	321	310	155	255	23.5	4	77	157	178	277	215	295	223	326	M25x1,5
	MVSI 10/3000-S02-TS	P	731	756	321	310	155	255	23.5	4	77	157	198	277	215	295	223	326	M25x1,5
	MVSI 10/3810-S02-TS	P	758	782	347	340	180	280	26	4	80	165	202	303	240	320	226	356	M32x1,5
	MVSI 10/4700-S02-TS	P	822	848	347	340	180	280	26	4	80	165	233	303	240	320	259	356	M32x1,5
	MVSI 10/5200-S02-TS	P	818	892	370	390	200	320	28	4	90	180	192	330	270	350	266	382	M32x1,5
	MVSI 10/5700-S02-TS	P	866	892	370	390	200	320	28	4	90	180	240	330	270	350	266	382	M32x1,5
	MVSI 10/6500-S02-TS	P	866	892	370	390	200	320	28	4	90	180	240	330	270	350	266	382	M32x1,5
	MVSI 10/8000-S90-TS	P	896	922	395	392	200	320	28	4	100	192	255	355	270	375	281	410	M32x1,5
	MVSI 10/9000-S90-TS	P	896	922	395	392	200	320	28	4	100	192	255	355	270	375	281	410	M32x1,5
	MVSI 10/10000-S02-TS	P	878	894	437	460	125	380	39	6	35	215	230	387	320	414	266	450	M32x1,5
	MVSI 10/13000-S02-TS	P	1017	1032	437	460	125	380	39	6	35	215	300	387	320	414	315	450	M32x1,5
	MVSI 10/15000-S02-TS	P	1030	1100	526	570	140	480	45	8	41	268	200	495	510	516	270	566	M32x1,5
	MVSI 10/17500-S02-TS	P	1070	1100	526	570	140	480	45	8	41	268	240	495	510	516	270	566	M32x1,5
	MVSI 10/22000-S90-TS	P	1175	1200	607	610	140	520	45	8	38	297	298	542	510	582	323	616	M32x1,5
MVSI 10/25000-S90-TS	P	1175	1200	607	610	140	520	45	8	38	297	298	542	510	582	323	616	M32x1,5	

Several sizes are available with different mounting bolt patterns. Please contact sales office at Italvibras.

Fig. P



8 poles - 750/900 rpm

	Description				Mechanical specifications						Electrical specifications							
	Code	Type	SIZE	II2D Temp. class	Static moment*		Centrifugal force				Weight		Max input power		Max. current		I _a /I _N	
					kgmm	kgmm	kg	kg	kN	kN	kg	kg	W	W	A	A	50 Hz	60 Hz
	50 Hz	60 Hz	50 Hz	60 Hz	50 Hz	60 Hz	50 Hz	60 Hz	50 Hz	60 Hz	50 Hz	60 Hz	400 V 50 Hz	460 V 60 Hz	50 Hz	60 Hz		
three-phase	602610	MVSI 075/910-S08-TS	50	• 120°C	1012	1012	637	917	6.25	9.00	67.0	67.0	400	500	1.40	1.30	2.38	2.85
	602891	MVSI 075/2110-S02-TS	70	• 135°C	2326	2326	1463	2107	14.4	20.7	130	130	1500	1790	4.10	4.20	3.55	2.95
	602884	MVSI 075/3110-S02-TS	80	• 135°C	3422	3422	2152	3099	21.1	30.4	188	188	2000	2300	5.40	5.20	3.98	4.62
	602515	MVSI 075/3800-S02-TS	80	• 135°C	4206	4206	2645	3808	25.9	37.4	204	204	2500	3000	6.00	6.00	4.00	4.20
	602862	MVSI 075/4200-S02-TS	90	• 135°C	4658	4658	2930	4218	28.7	41.4	238	238	2800	3350	6.50	6.50	3.84	4.00
	602826	MVSI 075/5300-S02-TS	90	• 135°C	5838	5838	3672	5287	36.0	51.9	268	268	4000	4300	8.20	7.85	3.87	5.35
	602827	MVSI 075/6500-S90-TS	95	□ 135°C	7197	7197	4526	6517	44.4	63.9	315	315	4900	5800	9.90	9.50	3.04	3.26
	602551	MVSI 075/6800-S02-TS	97	□ 135°C	7340	7340	4616	6647	45.3	65.2	330	330	5600	6000	10.5	10.0	3.12	3.30
	602870	MVSI 075/10000-S02-TS	97	□ 135°C	12390	10973	7792	9937	76.4	97.5	438	419	6800	7450	13.2	12.0	3.33	3.92
	602871	MVSI 075/14000-S02-TS	105	□ 135°C	17946	15500	11285	14036	111	138	702	680	9200	9600	21.0	19.5	4.99	5.44
	602872	MVSI 075/17000-S02-TS	105	□ 135°C	21337	19064	13418	17263	132	169	755	711	10400	11140	22.0	20.0	5.50	5.90
	602873	MVSI 075/22000-S90-TS	110	□ 135°C	28633	24508	18005	22192	177	218	1015	981	12500	16200	26.5	28.0	5.63	4.71

* Working moment = 2 x static moment. □ CSA certification on request, with feeding line included.

I_a/I_N = ratio between start-up current and maximum current.

8 poles - 750/900 rpm

	Type	Dimensional specifications (mm)																Cable entry thread	
		Fig.	A		B	C	D	E	Holes		F	H	I	L	M	N	I1		N1
			n. split covers						øG	N°									
three-phase	MVSI 075/910-S08-TS	P	592	616	246	230	140	190	17	4	54	116	168	210	180	225	192	258	M25x1,5
	MVSI 075/2110-S02-TS	P	711	756	321	310	155	255	23.5	4	77	157	178	277	215	295	223	326	M25x1,5
	MVSI 075/3110-S02-TS	P	758	782	347	340	180	280	26	4	80	165	202	303	240	320	226	356	M32x1,5
	MVSI 075/3800-S02-TS	P	822	848	347	340	180	280	26	4	80	165	233	303	240	320	259	356	M32x1,5
	MVSI 075/4200-S02-TS	P	818	892	370	390	200	320	28	4	90	180	192	330	270	350	266	382	M32x1,5
	MVSI 075/5300-S02-TS	P	866	892	370	390	200	320	28	4	90	180	240	330	270	350	266	382	M32x1,5
	MVSI 075/6500-S90-TS	P	896	922	395	392	200	320	28	4	100	192	255	355	270	375	281	410	M32x1,5
	MVSI 075/6800-S02-TS	P	878	894	437	460	125	380	39	6	35	215	230	387	320	414	246	450	M32x1,5
	MVSI 075/10000-S02-TS	P	1017	1032	437	460	125	380	39	6	35	215	300	387	320	414	315	450	M32x1,5
	MVSI 075/14000-S02-TS	P	1070	1100	526	570	140	480	45	8	41	268	240	485	510	516	270	566	M32x1,5
	MVSI 075/17000-S02-TS	P	1150	1180	526	570	140	480	45	8	41	268	280	485	510	516	310	566	M32x1,5
	MVSI 075/22000-S90-TS	P	1175	1200	607	610	140	520	45	8	38	297	298	542	510	582	323	616	M32x1,5

Several sizes are available with different mounting bolt patterns. Please contact sales office at Italvibras.

Fig. P

